

Technical Specification

Camera

Image Sensor	5 MP CMOS
Max. Resolution	2880 (H) × 1620 (V)
Scanning System	Progressive
Electronic Shutter Speed	PAL: 1/25 s–1/100,000 s NTSC: 1/30 s–1/100,000 s
Min. Illumination	0.0001 lux@F1.0 (Color, 30 IRE) 0 lux (Illuminator on)
S/N Ratio	>65 dB
Illumination Distance	Warm light: 50 m (164.04 ft)
Illuminator On/Off Control	Auto/Manual
Illuminator Number	4 (Warm light)
Angle Adjustment	Pan: 0°–360° Tilt: 0°–90° Rotation: 0°–360°

Lens

Lens Type	Fixed-focal
Lens Mount	M12
Focal Length	2.8 mm; 3.6 mm
Max. Aperture	F1.0
Field of View	2.8 mm: H: 109.6°; V: 57.5°; D: 131° 3.6 mm: H: 88.2°; V: 47.6°; D: 104.5°
Iris Control	Fixed
Close Focus Distance	2.8 mm: 2.0 m (6.56 ft) 3.6 mm: 3.0 m (9.84 ft)

DORI Distance	Lens	Detect	Observe	Recognize	Identify
	2.8 mm	66.0 m (216.65 ft)	26.4 m (86.61 ft)	13.2 m (43.31 ft)	6.6 m (21.65 ft)
	3.6 mm	78.0 m (255.91 ft)	31.2 m (102.36 ft)	15.6 m (51.18 ft)	7.8 m (25.59 ft)

*DORI (Detect, Observe, Recognize, Identify) is a standard system (EN-62676-4) for defining the ability of a person viewing the video to distinguish persons or objects within a covered area. The numbers in this table do not reflect intelligent function distances. For intelligent function distances, refer to installation and commissioning manual/project design tool.

Video

Video Frame Rate	CVI: PAL: 5M@25 fps; 5M@12.5 fps; NTSC: 5M@25 fps; 5M@10 fps; AHD: PAL: 4M@25 fps NTSC: 4M@30 fps TVI: PAL: 5M@20 fps NTSC: 5M@20 fps CVBS: PAL: 960H NTSC: 960H
Resolution	5M (2880 × 1620); 4M (2560 × 1440); 960H (960 × 576/960 × 480); TVI 5M 16:9 (2960 × 1665)

Day/Night	Color
WDR	130 dB
White Balance	Auto
Gain Control	Auto
Noise Reduction	3D NR
Motion Detection	Yes (It needs to be controlled through the XVR)
Illumination Mode	Smart Light
Mirror	Yes (It needs to be controlled through the XVR)
Privacy Masking	Yes (It needs to be controlled through the XVR)

Certification

Certifications	CE-LVD: EN 62368-1; CE-EMC: EN 55032; EN 55035;
----------------	----------------------------------------------------

Audio

Built-in Mic	Yes, built-in dual Mic
Camera Audio	CVI
Pick-up Distance	12 m (39.37 ft)

Port

Video Output	Video output choices of CVI/TVI/AHD/CVBS by one BNC port (DIP Switch)
--------------	-----------------------------------------------------------------------

Power

Power Supply	12 VDC (±30%)
Power Consumption	Max 5.8 W (12 VDC, LED on)

Environment

Operating Temperature	–40 °C to +60 °C (–40 °F to +140 °F)
Operating Humidity	<95% (RH), non-condensing
Storage Temperature	–40 °C to +60 °C (–40 °F to +140 °F)
Storage Humidity	<95% (RH), non-condensing
Protection	IP67
Anti-corrosion Level	Basic Protection

Structure

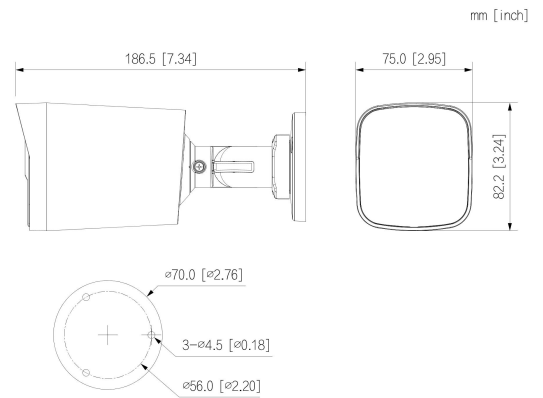
Casing Material	Metal front cover + plastic rear barrel + metal bracket
Product Dimensions	186.5 mm × 75 mm × 82.2 mm (7.34" × 2.95" × 3.24") (L × W × H)
Net Weight	0.35 kg (0.77 lb)
Gross Weight	0.49 kg (1.08 lb)
Installation	Wall mount; ceiling mount; vertical pole mount

Ordering Information

Type	Model	Description
HDCVI CAMERA	DH-HAC-HFW1549XN-A-PRO	5MP WizColor HDCVI Fixed-focal Bullet Camera,NTSC
	DH-HAC-HFW1549XP-A-PRO	5MP WizColor HDCVI Fixed-focal Bullet Camera,PAL

Type	Model	Description
Accessories (Optional)	G3416GW	G3/4" Water Joint
	DH-PFA130-E	Water-proof Junction Box
	DH-PFA151	Corner Mount Bracket
	DH-PFA157	Pole Mount Bracket
	DH-PFA134	Junction Box
	DH-PFM800-4K	1 Channel Passive HDCVI Balun
	DH-PFM321-EN	DC12V1A power adapter
	DH-PFM320D-EN	DC12V2A power adapter
	PFM904	Integrated Mount Tester

Dimensions (mm[inch])



Accessories

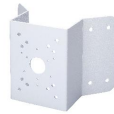
Optional:



DH-PFA130-E
Water-proof Junction Box



DH-PFA134
Junction Box



DH-PFA151
Corner Mount Bracket



DH-PFA157
Pole Mount Bracket



DH-PFM320D-EN
DC12V2A power adapter



DH-PFM321-EN
DC12V1A power adapter



DH-PFM800-4K
1 Channel Passive HDCVI
Balun



PFM904
Integrated Mount Tester

G3416GW
G3/4" Water Joint

